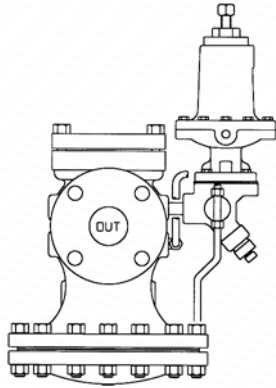
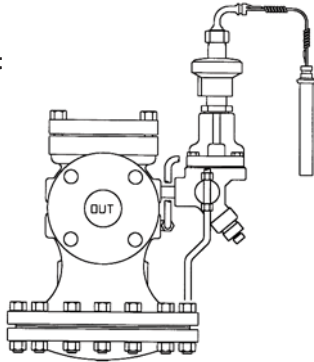


HD Main Valve
with
PP-Pressure Pilot
Spring-Loaded



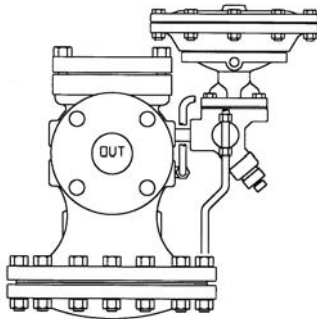
Shown with **PP** Pressure control Pilot. Spring-loaded pressure pilots are the most typical method of controlling downstream pressure in Steam Systems. Adjustment screw on top of pilot controls downstream steam pressure.

HD Main Valve
with
PT-Temperature Pilot



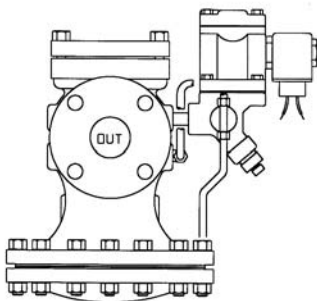
Shown with Temperature control Pilot: The **PT** Temperature Pilot will control the flow of steam flowing through the HD valve based on the temperature of the sensing bulb. The liquid-filled sensing Bulb is available in standard 8 ft and 15 ft capillary lengths. Other lengths available.

HD Main Valve
with
PA-Pressure Pilot
Air-Loaded



Shown with Air-loaded pressure control pilot. Air-loaded pressure pilots are used to reduce and control pressure in steam systems. They are used as an alternative to the more common spring-loaded pilot. The **PA** Air-loaded pressure pilot allows for remote adjustment of the valve using a small air regulator to alter the air pressure to the top of the pilot.

HD Main Valve
with
PS On/Off Control
Solenoid Pilot



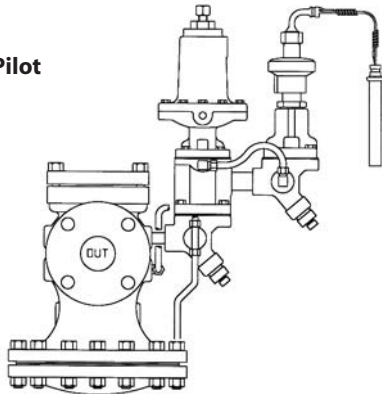
Shown with **PS ON-OFF**(solenoid Pilot) control pilot: The **PS ON-OFF** (solenoid) Pilot allows for the HD valve to be opened and closed using an electrical switch to activate a small solenoid valve. The **PS** Pilot can be used for system automation or as a safety shut down device. The ON-OFF pilot is most often used in conjunction with a Pressure or Temperature control pilot.

HD Regulator & Pilot Combinations

HD Main Valve

with

- PT-Temperature Pilot
- PP-Pressure Pilot



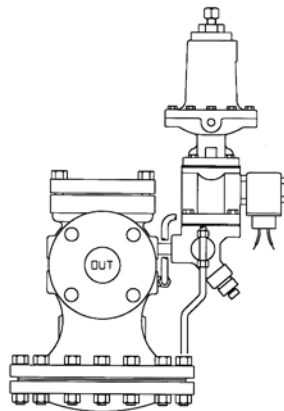
The **PT** Temperature Pilot will maintain the proper flow of steam through the main valve to keep the process it's controlling at the proper temperature. The **PP** pressure Pilot will **LIMIT** the downstream pressure to a maximum value. This combination of Pilots is very convenient when the Steam Pressure in the supply line is greater than the maximum pressure allowed to the process heat exchanger. This eliminates using a separate Pressure reducing valve prior to the temperature control valve.

NOTE: When two or more pilots are used on the same valve: An additional Pilot Adapter for Second Pilot is required: Use part number: **BADAPTER**

HD Main Valve

with

- PP-Pressure Pilot
- PS1 On/Off Control Solenoid Pilot

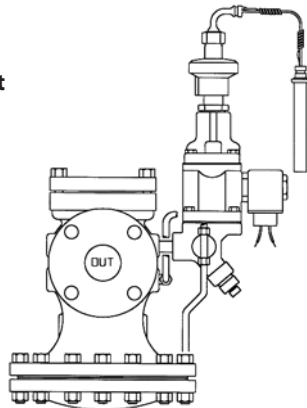


The **PP** Pressure Pilot will maintain the desired downstream set pressure as long as the **PS** ON-OFF (solenoid) Pilot is in the ON position. Available in either Normally-ON or Normally-OFF configuration; an electrical signal turns valve OFF or ON.

HD Main Valve

with

- PT-Temperature Pilot
- PS1 On/Off Control Solenoid Pilot

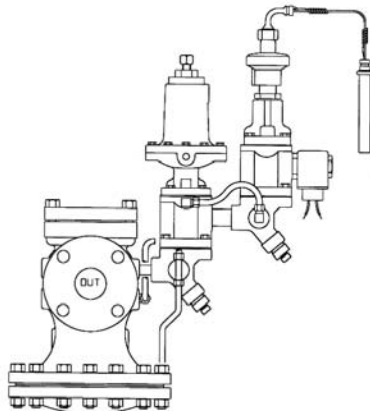


The **PT** Temperature Pilot will maintain the proper flow of steam through the main valve to keep the process it's controlling at the proper temperature as long as the **PS** ON-OFF (solenoid) Pilot is in the ON position. Available in either Normally-ON or Normally-OFF configuration; an electrical signal turns valve OFF or ON.

HD Main Valve

with

- PP-Pressure Pilot
- PT-Temperature Pilot
- PS1 On/Off Control Solenoid Pilot



The **PT** Temperature Pilot will maintain the proper flow of steam through the main valve to keep the process it's controlling at the proper temperature as long as the **PS** ON-OFF (solenoid) Pilot is in the ON position. The **PP** Pressure Pilot will **LIMIT** the downstream pressure to a maximum value.

NOTE: When two or more pilots are used on the same valve: An additional Pilot Adapter for Second Pilot is required: Use part number: **BADAPTER**